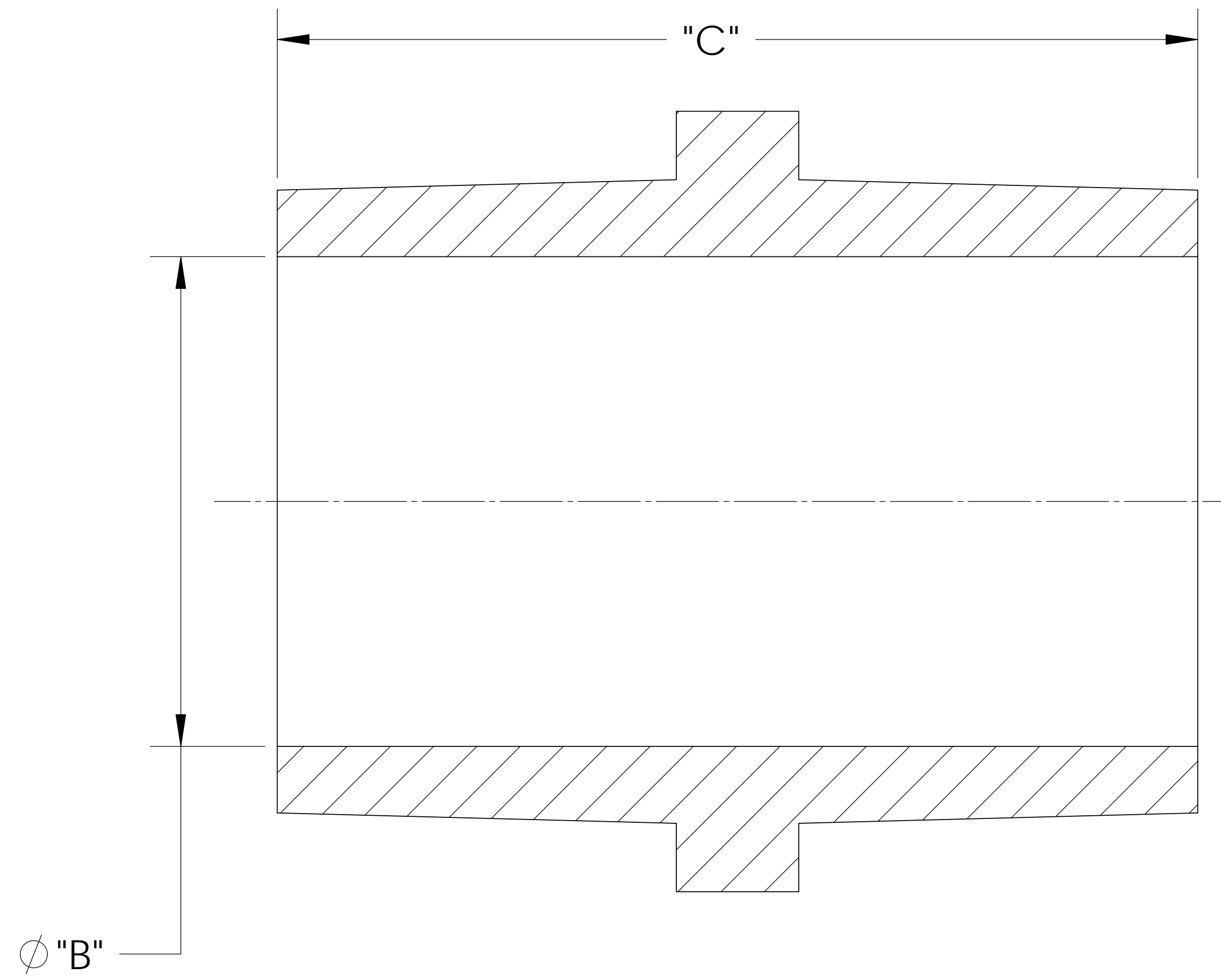
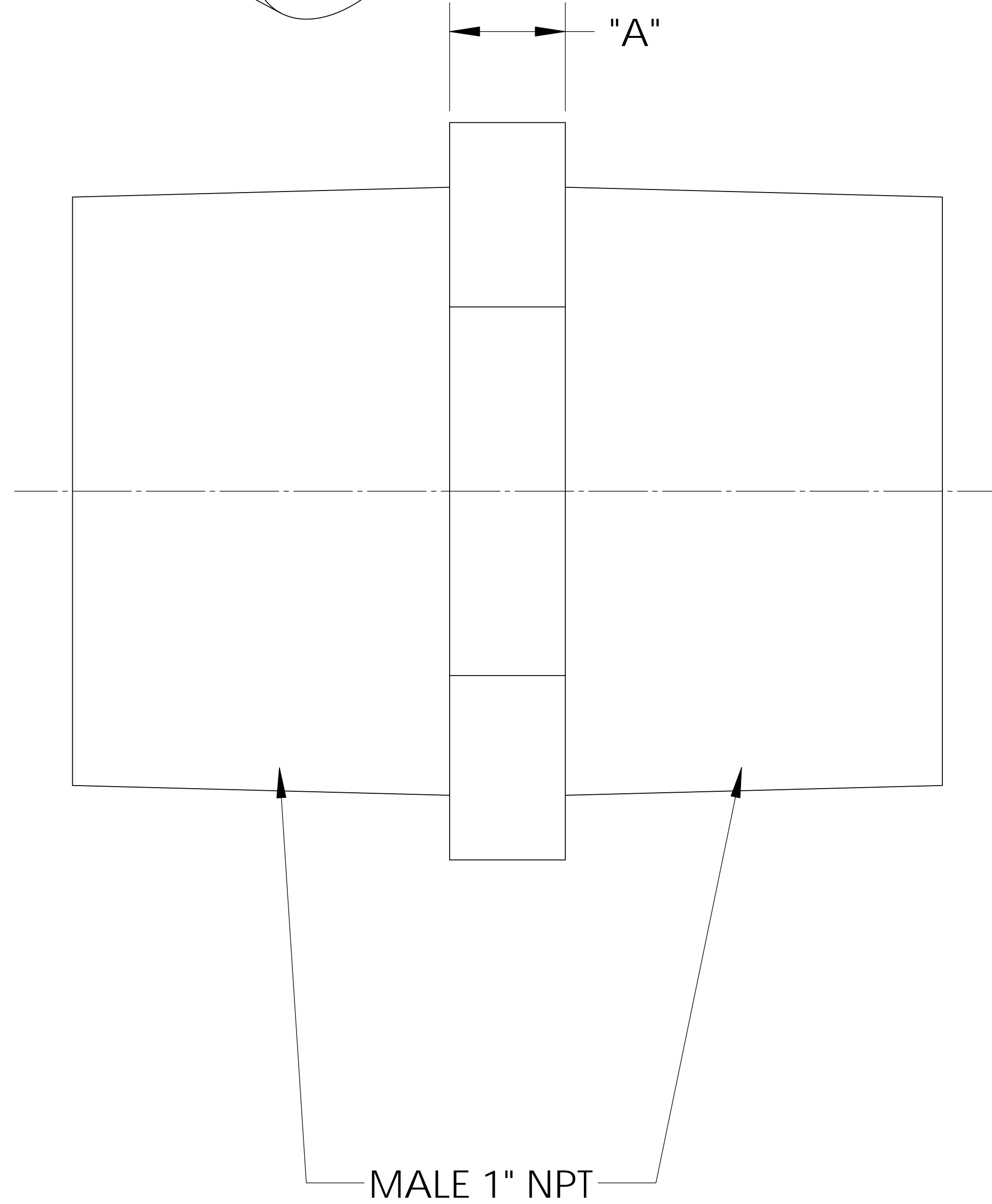
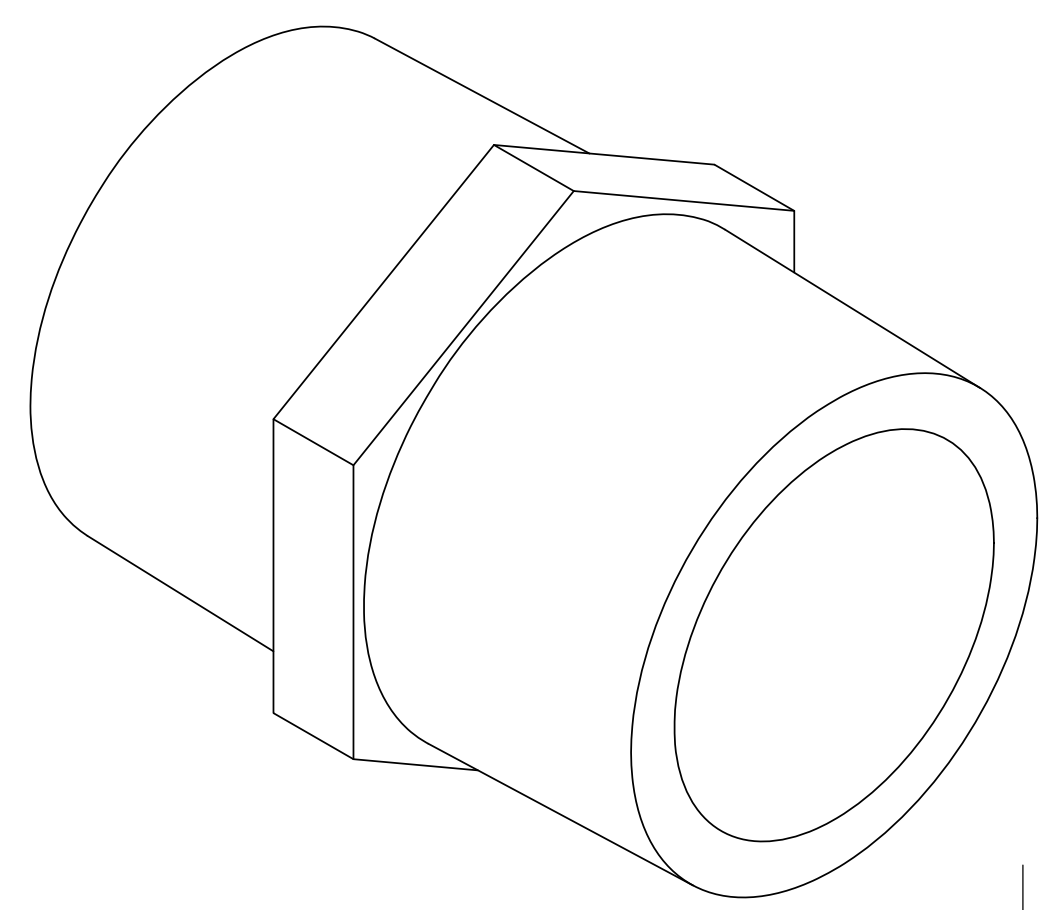
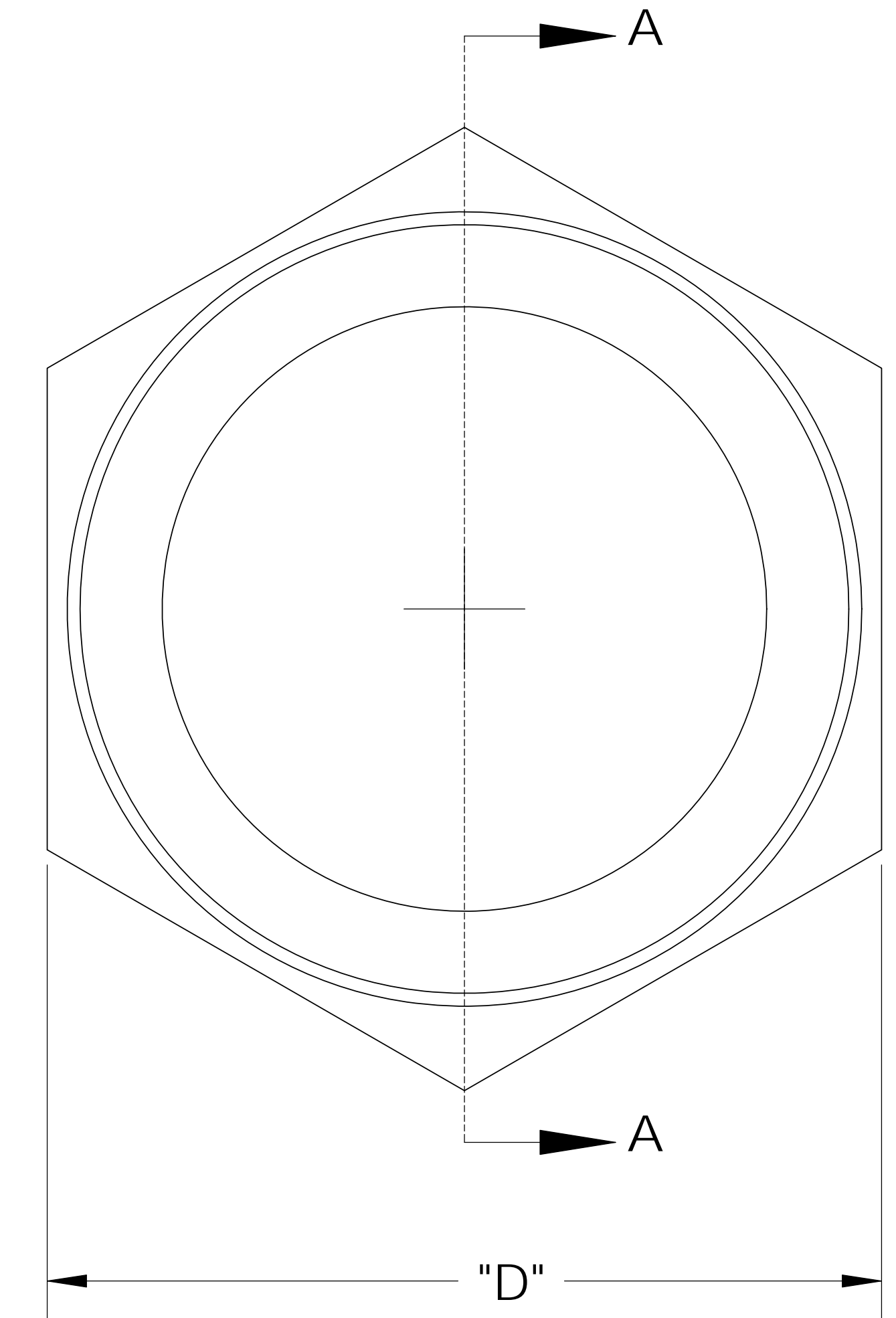


UNCONTROLLED IF PRINTED; CONTROLLED DOCUMENT LOCATED IN IQMS DOCUMENT CONTROL



SECTION A-A



CATALOG NO.	DESCRIPTION	MATERIAL	DIM "A"	DIM "B"	DIM "C"	DIM "D"
TN51616/PP	1" X 1" PP	POLYPROPYLENE	.245	.960	1.82	1.33
TN51616/P	1" X 1" P	POLYETHYLENE	.245	.960	1.82	1.33
SHOWN TN51616/N	1" X 1" N	NYLON	.250	1.00	1.88	1.38

NOTES:

- 1) POLYPROPYLENE HAS COLOR OPTIONS:
 BLACK = TN51616/PPB
 NATURAL = TN51616/PPN

PROPRIETARY AND CONFIDENTIAL
 THE INFORMATION CONTAINED IN THIS DRAWING IS THE SOLE PROPERTY OF THOGUS PRODUCTS COMPANY. ANY REPRODUCTION IN PART OR AS A WHOLE WITHOUT THE WRITTEN PERMISSION OF THOGUS PRODUCTS COMPANY IS PROHIBITED.

REV	WRO#	DESCRIPTION
C	95.00047	CONVERTED TO 3D FORMAT
HISTORY		

UNLESS OTHERWISE SPECIFIED:
 DIMENSIONS ARE IN INCHES
 TOLERANCES:
 ANGULAR: ±0.5°
 XX = ± 0.1
 X.XX = ± 0.05
 X.XXX = ± 0.015
 REMOVE ALL SHARP EDGES AND BURRS
 BLEND ALL RADII TO 0.01IN
 INTERPRET GEOMETRIC TOLERANCING PER: ANSI Y 14.5 1994
 MATERIAL: PP, P, N
 FINISH: NA
 THIRD ANGLE PROJECTION:

	NAME	DATE
DRAWN	KDJ	10/04/10
CHECKED	KDJ	10/4/10
ENG APPR.		XX/XX/XX
MFG APPR.		XX/XX/XX
Q.A.		XX/XX/XX

Thogus You think it, we can make it...
 33490 PIN OAK, AVON LAKE, OH 44012

TITLE:
 NIPPLE, 1 NPT X 1 NPT

SIZE B	DWG. NO. TN51616	REV C
SCALE: 2:1	MASS:	SHEET 1 OF 1

DO NOT SCALE DRAWING